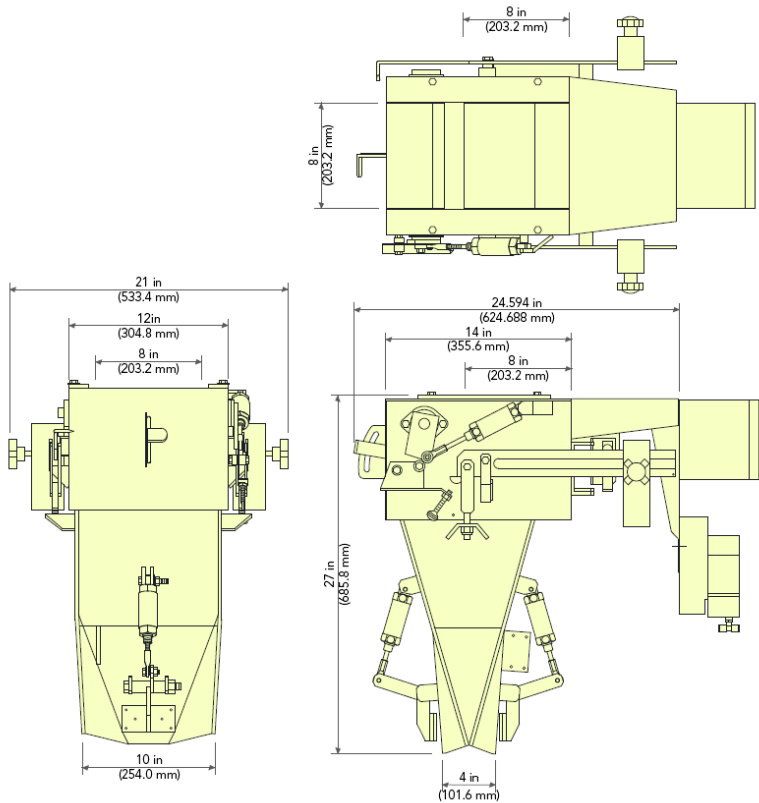


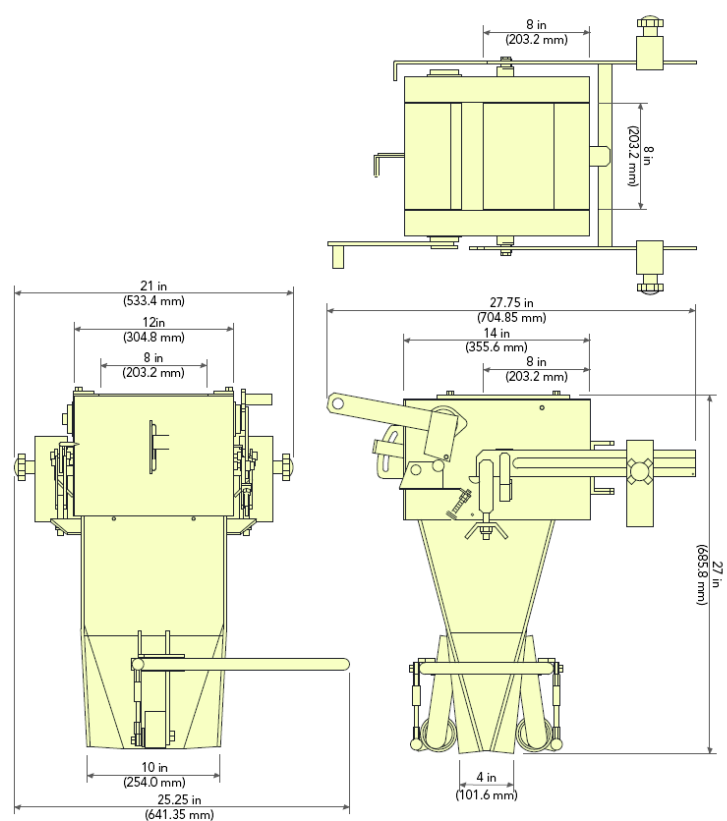
Colorado Mill Equipment

CME BS-Series Bag Sealers

ECO-BSA
Air Assist / Beam



ECO-BSM
Manual / Beam



Dimensions	30.0" x 25.0" x 27.0" (762mm x 635mm x 685.8mm)
Speed	Up to 12 BPM
Accuracy	± 0.4 lbs.
Weight Range	15 – 125 lbs
Scale	Beam
Construction	Carbon Steel Blasted and Painted
Electrical Requirements	115 V, single phase (on BS-A only)
Air Requirements	100 psi, 2 cfm (on BS-A only)