



COLORADO MILL EQUIPMENT ECO-HMS HAMMERMILL

CME's ECO-HMS is a 30HP hammermill that can make a wide variety of products. It can be run with motors as small as 5HP, has a gravity discharge and can be used with an optional screw conveyor base. These are commonly used for producing fine to medium ground product for use in alfalfa, grains, manure, minerals, wood shavings & chips and other biomass products.

Features:

- Mild steel base
- 3/32" to 1/2" screen
- 1 year manufacturer's warranty
- Safety stickers with icons
- Safety switch interlock
- 3HP to 30HP NEMA motor
- Single screen for quick replacement
- Auger base
- Hinged door with easy access hammers



Setups:

- Mill only (no stand)
- Versa base (with adjustable height)
- Auger with auger base

Size (HP)	Frame	Dim. "A" (appx)
5	213TC	28" (71cm)
10	215TC	30" (76cm)
20	256TC	31½" (80cm)
30	286TSC	33½" (85cm)

CME

ECO-HMS HAMMERMILL

Specifications:

- **Model:** ECO-HMS
- **Horsepower:** 3 to 30HP
- **Effective Diameter:** 18"D x 6"W
- **Screen area:** 368 sq.in.
- **Screening sizes:** 3/32" to 1/2"



Capacities:

DRY CORN - lb per hr

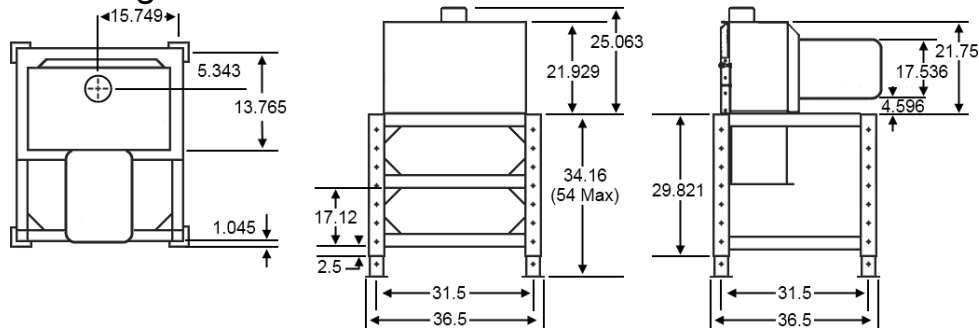
Screen	5 HP	10 HP	20 HP	30 HP
1/8"	2,500	5,000	10,000	14,000
5/32"	3,000	6,000	12,000	17,000
3/16"	3,500	7,000	14,000	20,000
7/32"	4,000	8,000	16,000	22,000
1/4"	4500	9000	18000	25000

DRY BARLEY - lb per hr

Screen	5 HP	10 HP	20 HP	30 HP	Screen
1/8"	1,100	2,200	4,400	6,600	1/8"
5/32"	1,300	2,600	5,200	7,800	5/32"
3/16"	1550	3100	6200	9300	3/16"

*SMALL WOOD CHIPS: 500 lbs/hr w/ 1/4" screen

Versa base drawing:



Optional auger base:

